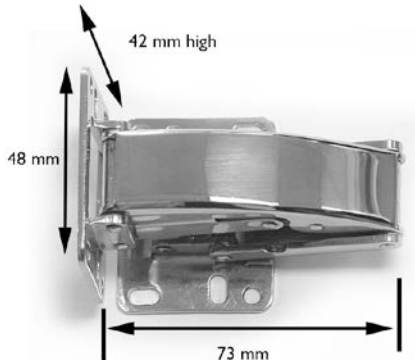


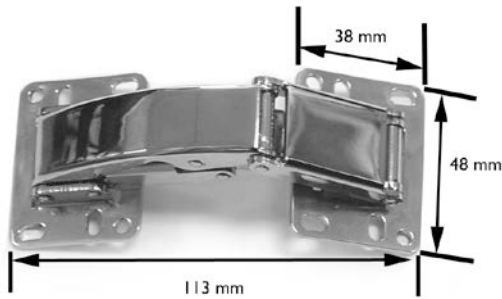


Izerwaren
Order
numbers

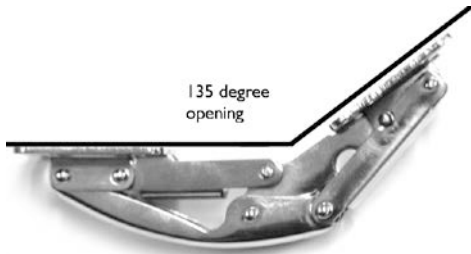
42.7753 **Invisible on hinge for cabinet doors
or small deck hatches**
316 polished stainless steel
125 degree opening
For inlay or up lay doors
Load: Max. 12 lb per hinge
12/19 mm door thickness



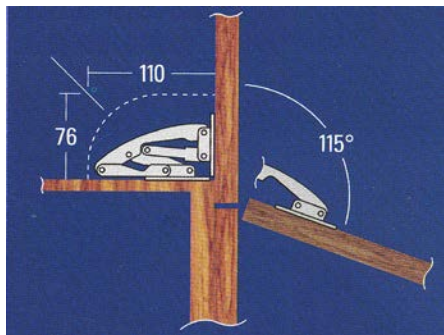
#42.7753 Easy On hinge;
Closed dimensions in mm: 73 long x 42 high x 48 wide



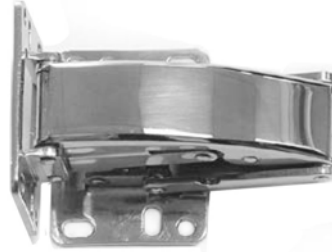
Open dimensions in mm: 113 long x 48 wide
Footprint hinge plates: 48 x 38 mm



135 degree max. angle on hinge



resulting in 125 degree opening door for the
small hinge 42.7753. Bigger size hinges
open 115 degree.



#42.7753 Easy On hinge; 135 degree 316 polished stainless steel



Easy on hinge closed: 73 x 62 x 2 mm thick.
Footprint: 48 x 38 mm.



#42.7753; 125 degree 316 stainless steel easy on hinge



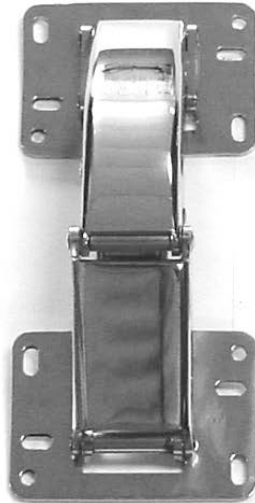
Half way open/ offset



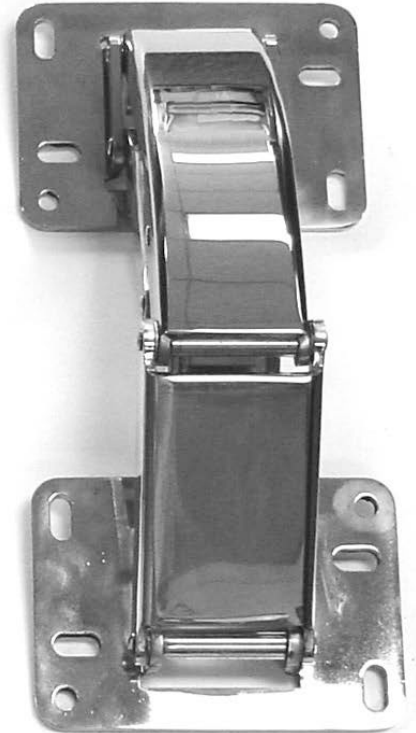
125 degree fully open



42.7753 Small: Max. load:
12 lb per hinge.



42.8865 Medium: Max. load:
50 lb per hinge.



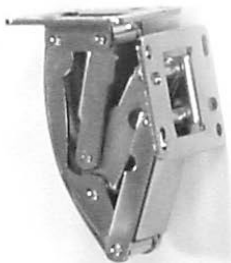
42.7755 Big: Max. load:
75 lb per hinge.

“EASY ON” HINGE FOR HATCHES, BULWARK DOORS AND CABINET DOORS.

* 316 polished stainless steel

* 115 degree opening

* For inlay and up lay doors



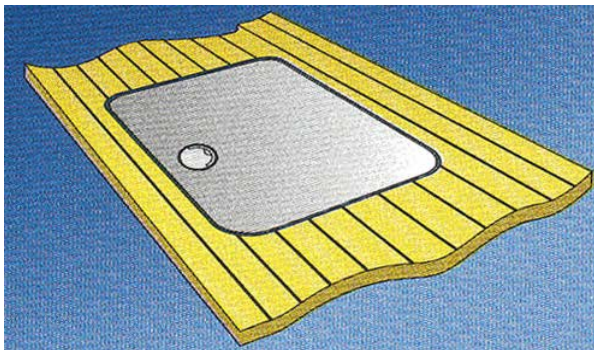
Size 3 x 2 5/8 inch



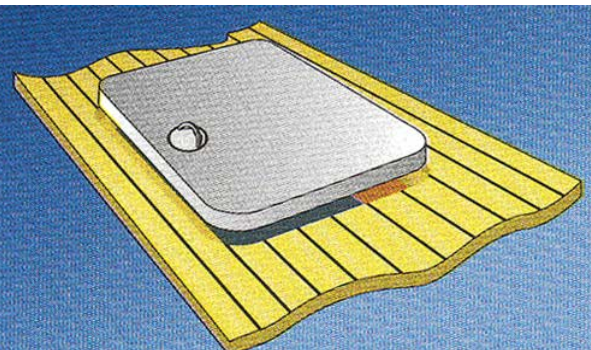
Size 4 1/4 x 2 1/2 inch



Size 6 7/8 x 3 3/4 inch

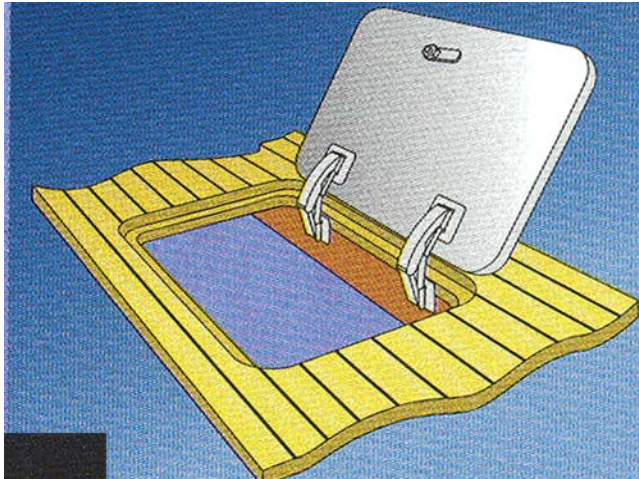


Closed position

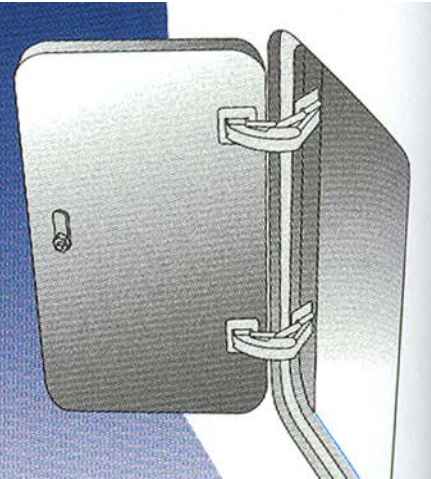


Lifts up first then out

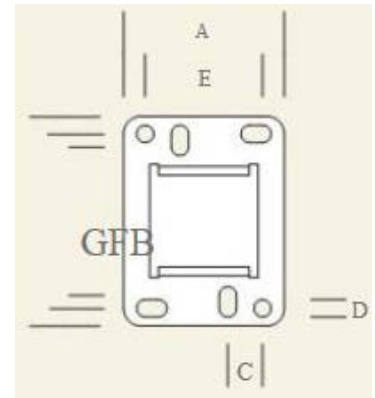
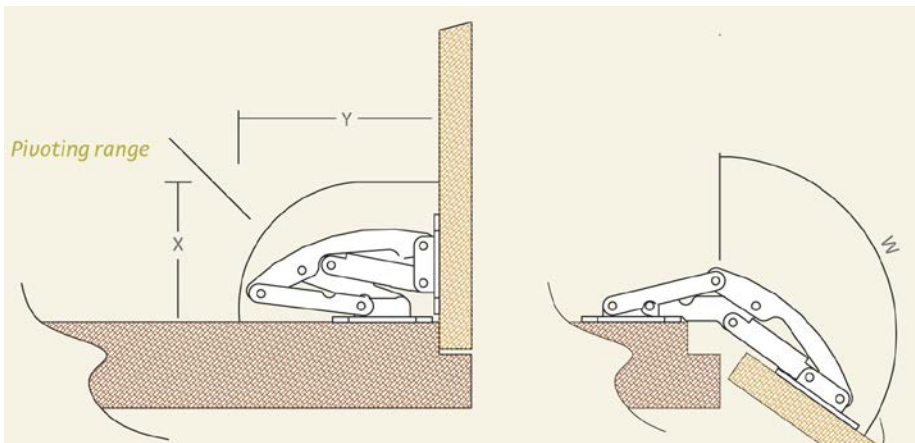
with lift ring #44.0980 with cam



Opens 115 degree



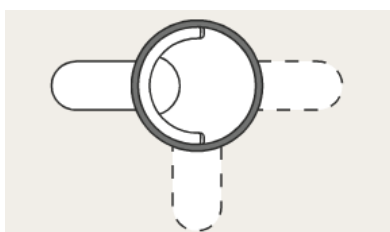
Opens 115 degree



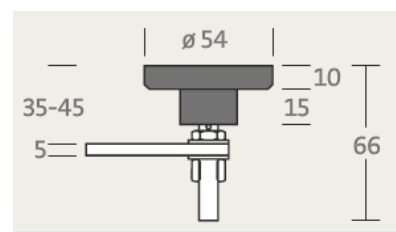
Footprint layout

Art	A	B	C	øD	E	F	G	t	W	X	Y
42.7753	37	48	8	4	27	40	34	max. 12	125°	52	75
42.8865	57	80	12	5	37	68	58	max. 20	115°	85	115
42.7755	85	120	18	7	65	100	84	max. 30	115°	130	175

B = length mounting plate
 F = center to center screw hole
 G = distance adjusting screw hole
 t = max. thickness of door



#44.0980 hatch fastener with cam and lift ring





Invisible 316 stainless steel hinges Part no.:
#42.7753
#42.8865
#42.7755
Flat screen TV mounting.





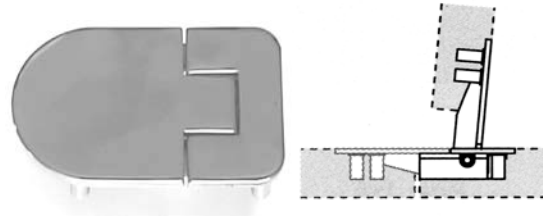
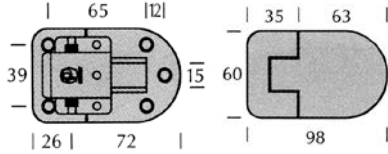
Izerwaren
Order
numbers

- 316 Stainless steel specialty hinges

42.893

Hatch hinge
Hinge for deck boxes and hatches
with backstop 100 degrees

Flush mount
Polished 316 stainless steel
No screws showing
Built in depth: 15 mm
Bushes: 15 mm; for M5 machine screws
Overall size: 60 x 98 mm
Material: 3 mm thick

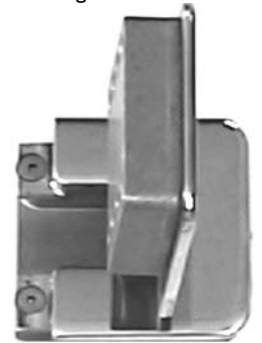
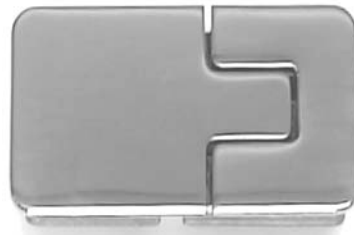


Hatch hinge #42.893 with 100 degree backstop, no screws showing

42.894

Hatch hinge for hatches
with backstop 100 degrees

Flush mount
Mirror Polished 316L stainless steel
No screws showing; with cover plates
1/8" material thickness
Built in depth: 5/8"
Overall size: 4 3/8" x 2 5/16"
Please see drawing on page 4-2-0-A
Material: casted 316L stainless steel
covers 1/8" 316 st.st. plate material



Hatch hinge #42.894, "2 x 4" heavy duty, with 100 degree backstop, no screws showing. Size: 4 3/8" x 2 5/16" x 5/8" (sizes and drawing on page 4-2-0-A)

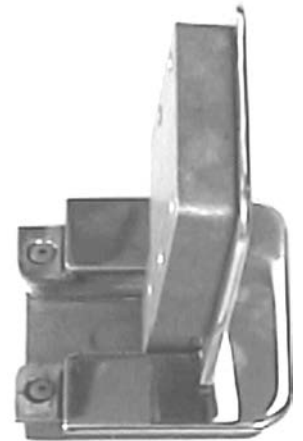
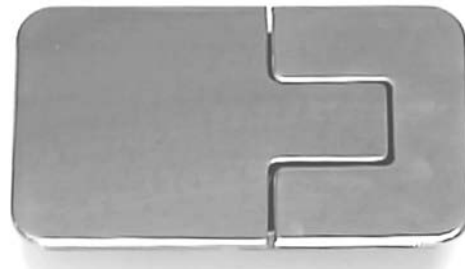
42.895

Hatch hinge for hatches
with backstop 100 degrees

Flush mount
Mirror Polished 316L stainless steel
No screws showing; with cover plates
Built in depth: 5/8"
Overall size: 5 5/8" x 3 1/8"
Please see drawing on page 4-2-0-A
Material: casted 316L stainless steel
covers 1/8" thick



Depicted: Hinge #42.894 and hatch cam lift #43.555; see also page 4-3-3.



Hatch hinge #42.895, "3 x 5"; heavy duty, with 100 degree backstop, no screws showing. Size: 5 5/8" x 3 1/8" x 5/8" (sizes and drawing on page 4-2-0-A)

#42.896 FLUSH DECK HINGE 8 3/16" x 5 1/2"

(Not pictured; sizes and drawing on page 4-2-0-B)

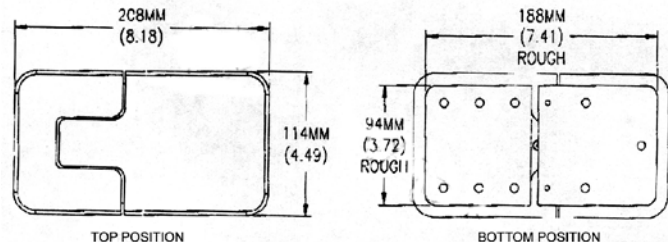
Hatch hinge #43.896, heavy duty, 100 degree backstop, no screws showing.
Size: 8 3/16 x 5 1/2" x 1" (sizes and drawing on page 4-2-0-B)

42.896

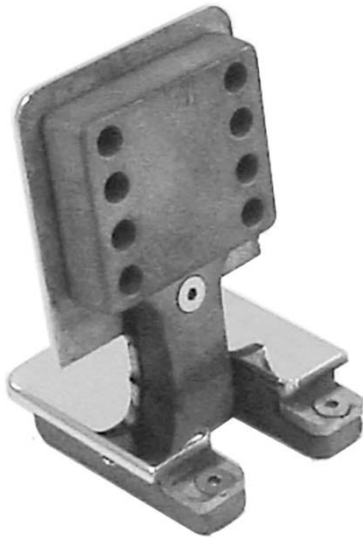
Hatch hinge for hatches
with backstop 100 degrees

Flush mount
Mirror Polished 316L stainless steel
No screws showing; with cover plates

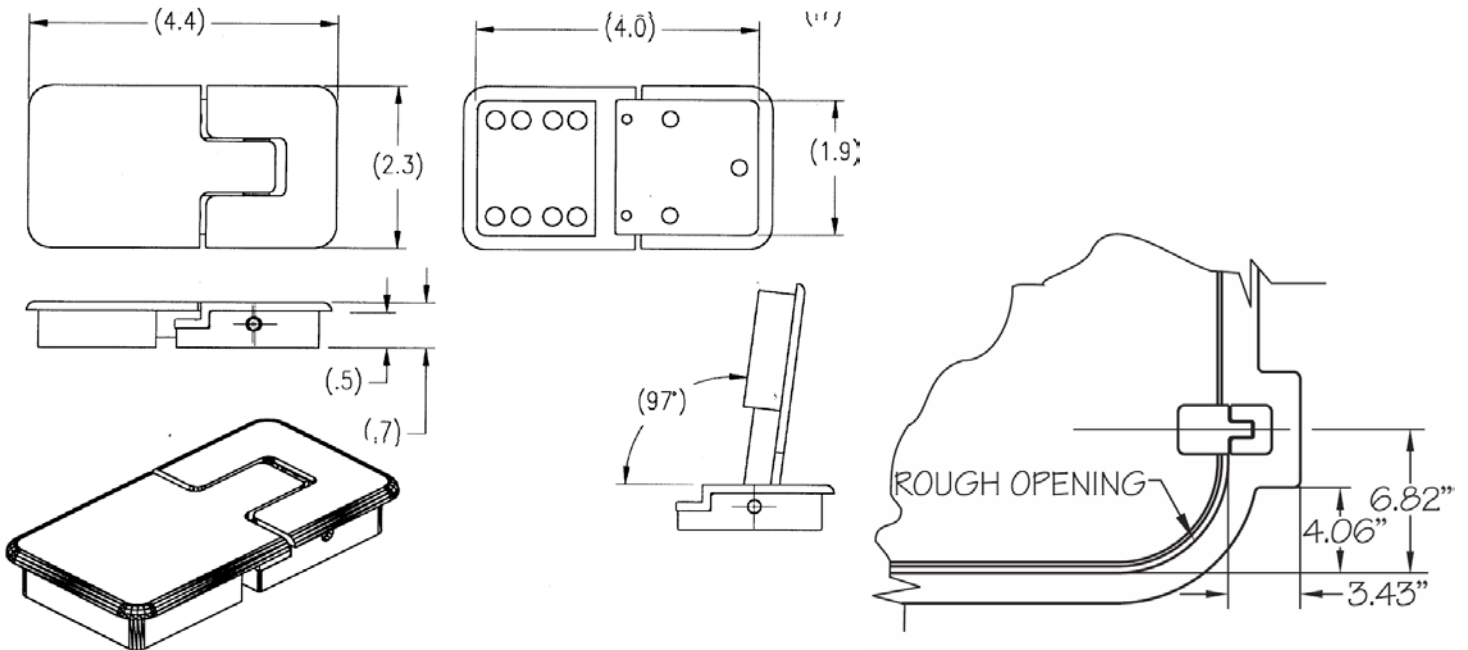
Overall size: 8 3/16" x 5 1/2"
Please see drawing on page 4-2-0-B
Material: Cast 316L stainless steel
covers 1/8" thick.



Drawings Flush deck hinge #42.896. For all drawings: Page 4-2-0-A and 4-2-0-B.



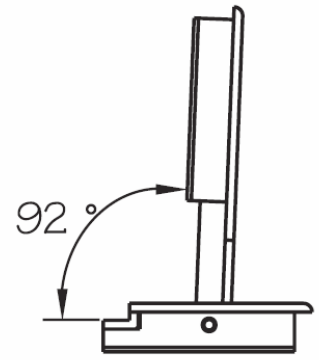
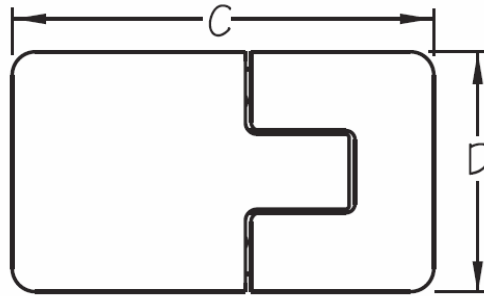
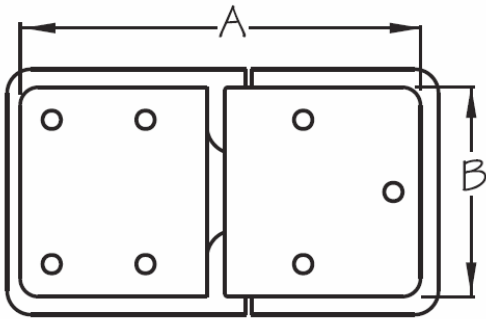
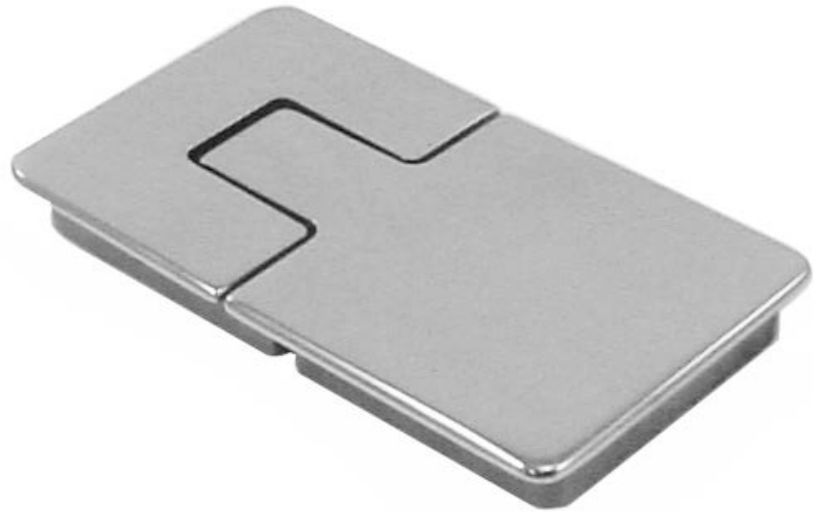
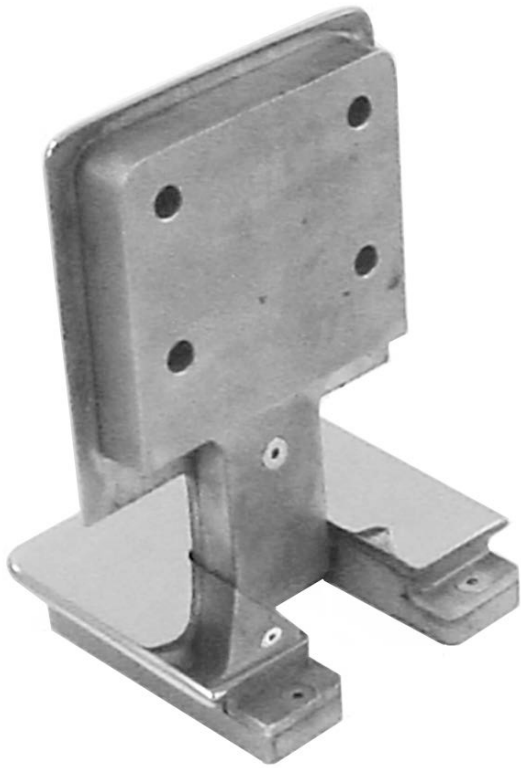
#42.894 Flush Deck Hinge 2"x 4" Opening: 97 degree; 316 stainless steel



#42.894 Flush Deck Hinge; Style: 2"x 4" Opening: 97 degree; 316 stainless steel

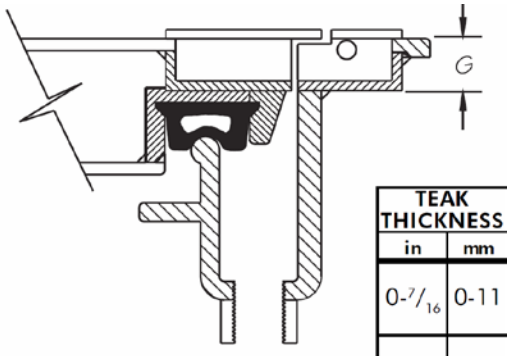


Teak Hatch with Hatch hinges #42.894 and Lift Ring #43.555 (see page 4-3-4-0)

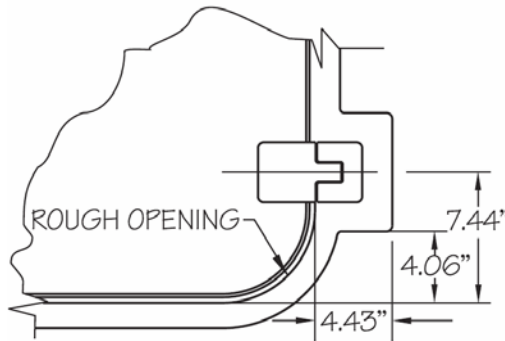


#42.894 hatch hinge; 92 degree opening A= 5.29 inch; B= 2.65 inch C= 5.84 inch D= 3.20 inch

Style 3 x 6



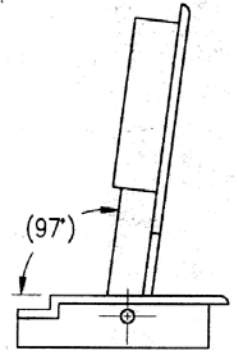
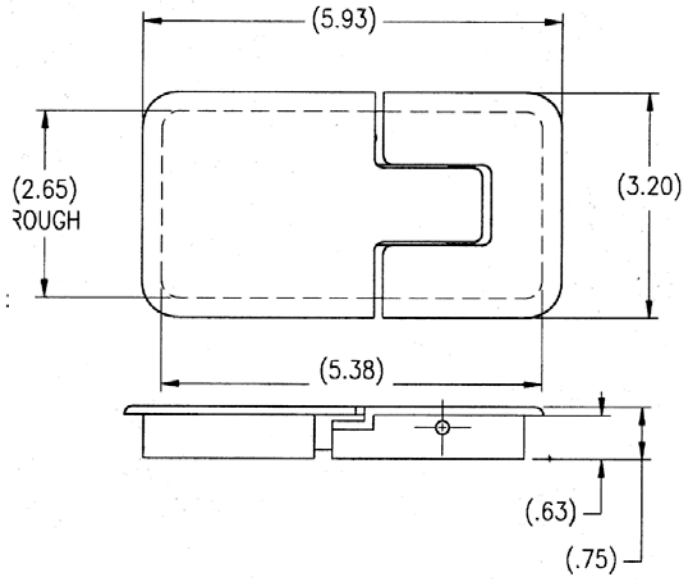
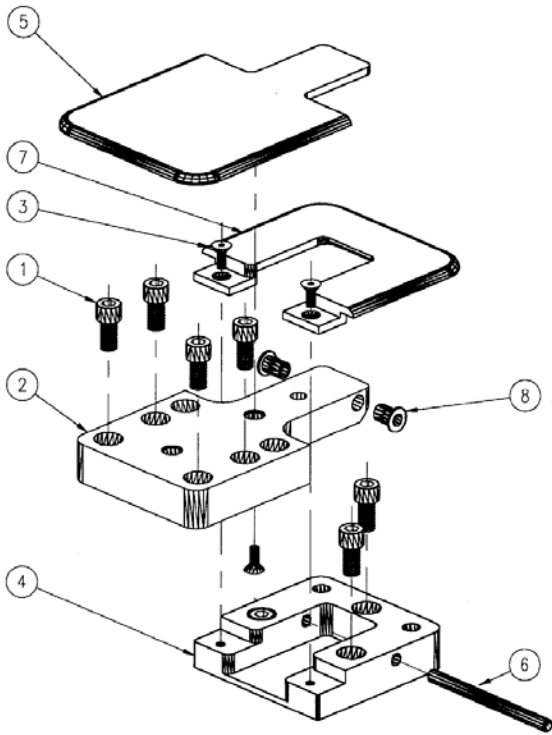
TEAK THICKNESS	
in	mm
0.7/16	0-11



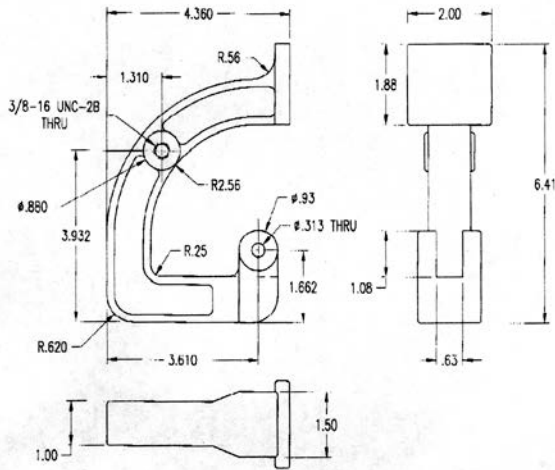
Mounting Suggestions for 3 x 6 style hinge.

Hatch Cam Lock #115.43

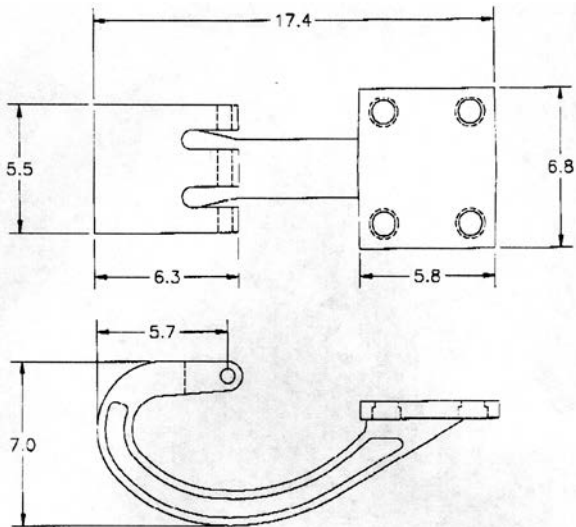
316 stainless steel hinge has loose top plates



hinge 3"x 6" Izerwaren order number #42.895



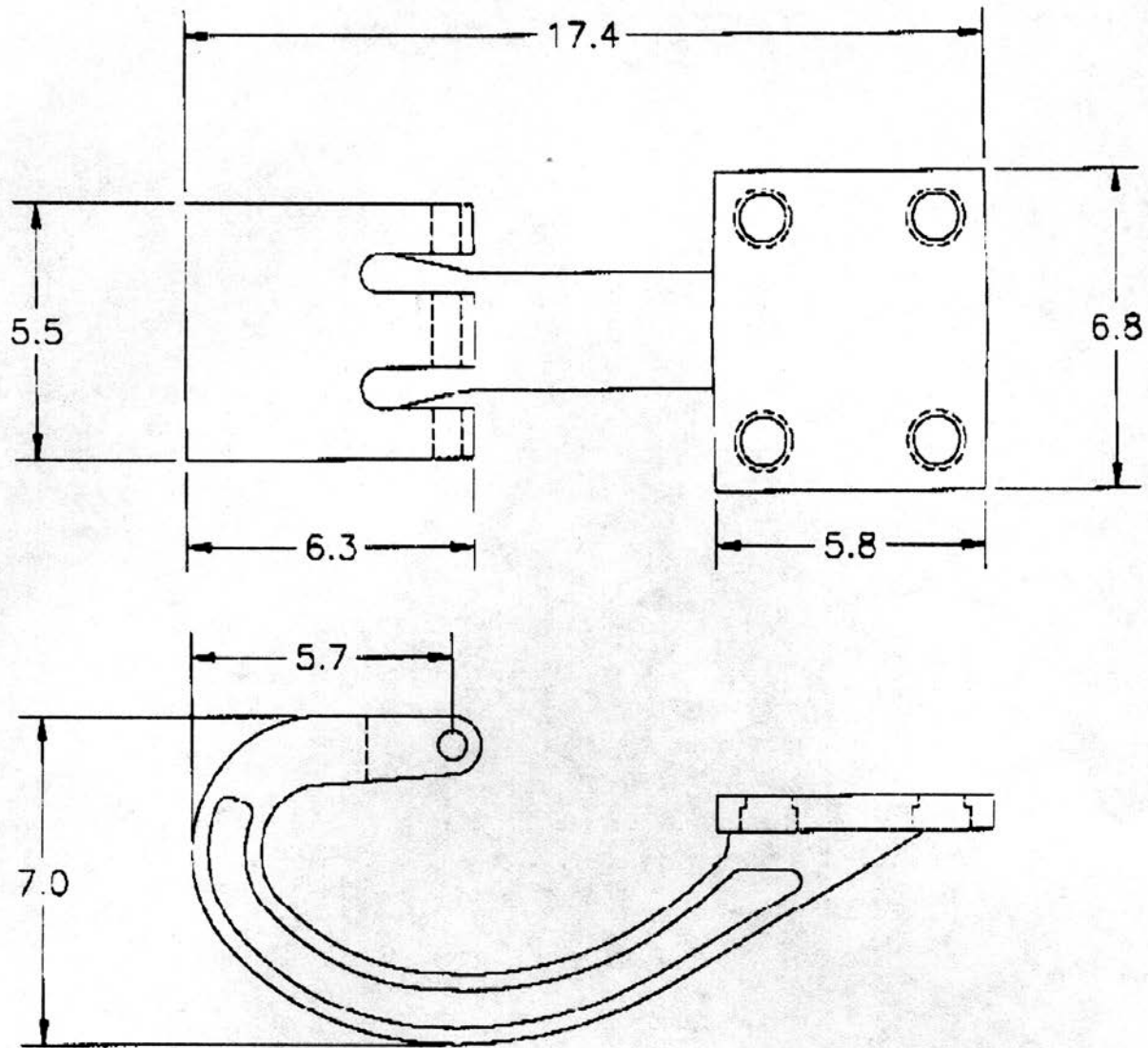
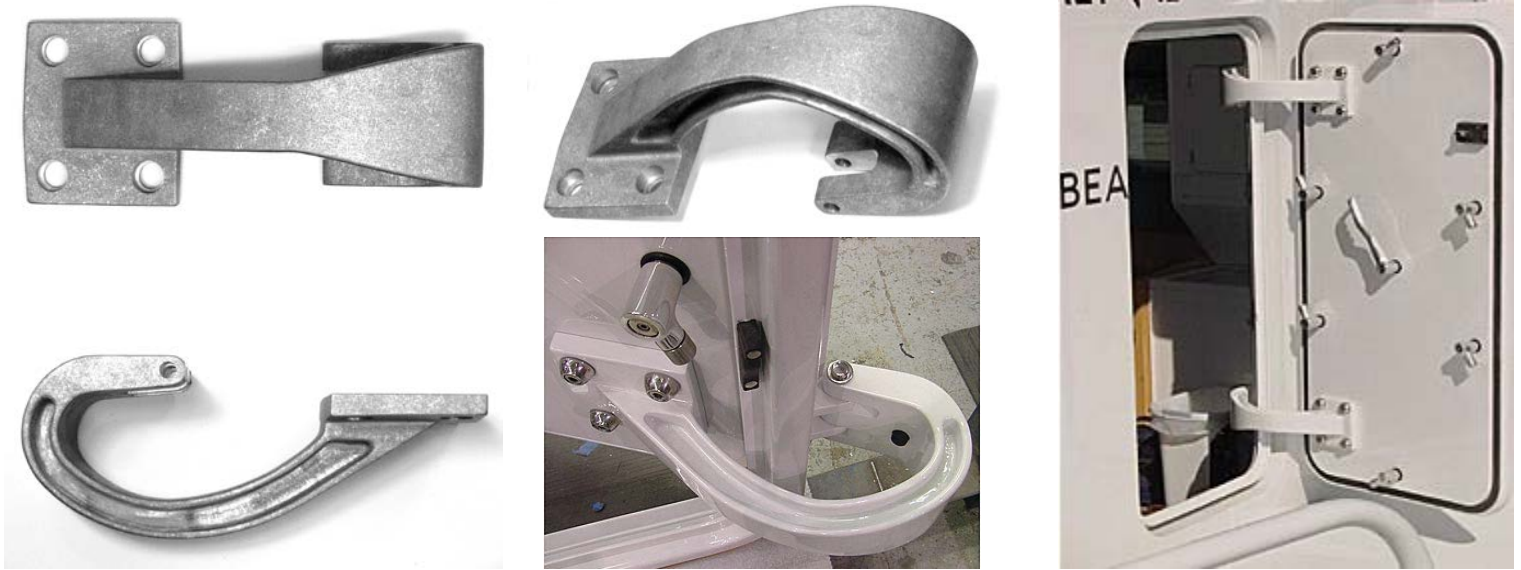
C hinge bracket 3.5" x 6" Izerwaren order number #42.739C Recommended Max weight hatch: 100 lbs. Parts casted aluminum alloy not painted.



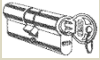
#42.524C - C-Hinge Bracket 7"x 17.5" Max weight hatch: 300 lbs. Parts casted aluminum alloy not painted.



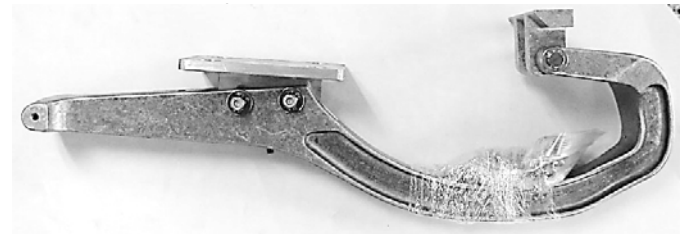
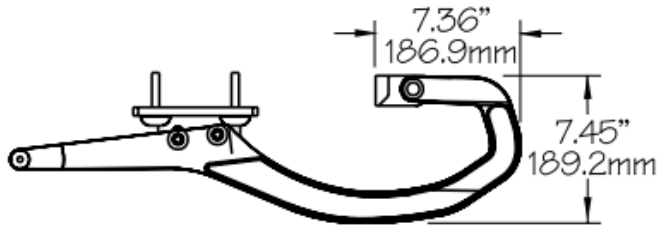
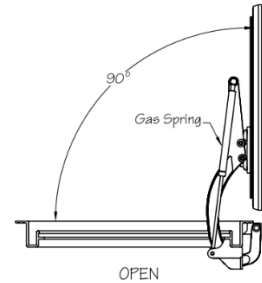
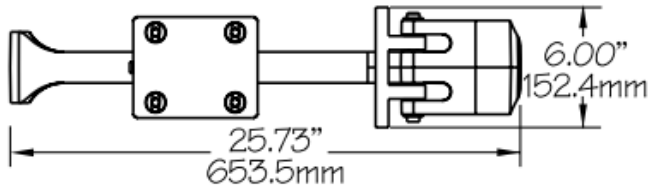
Sample applications hinge #42.524C



C-Hinge Bracket 7"x 17.5" Izerwaren order number #42.524C
Recommended maximum weight limit hatch: 400 lbs. Parts casted aluminum alloy not painted

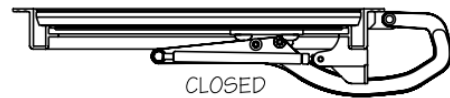
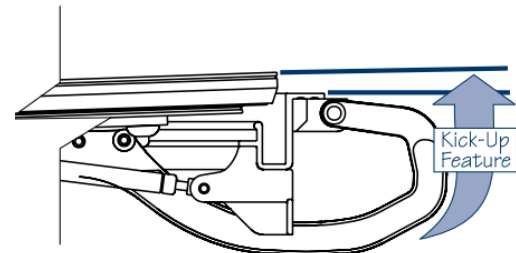
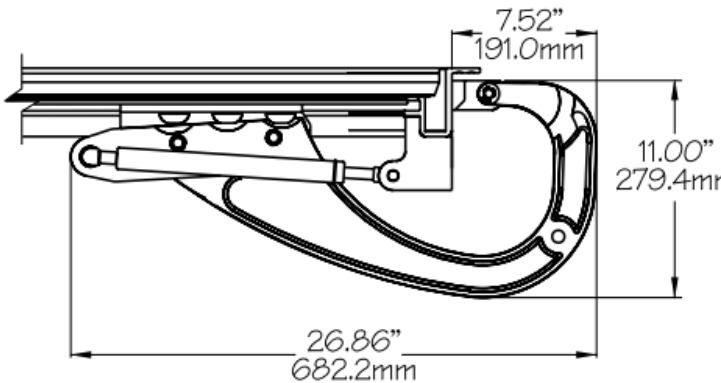


Yoke Hinges with Gas Spring Set Up
Kick-up with gas springs on the coaming



Yoke Hinge, Small, Pivoting.
Part No.: 42.2129

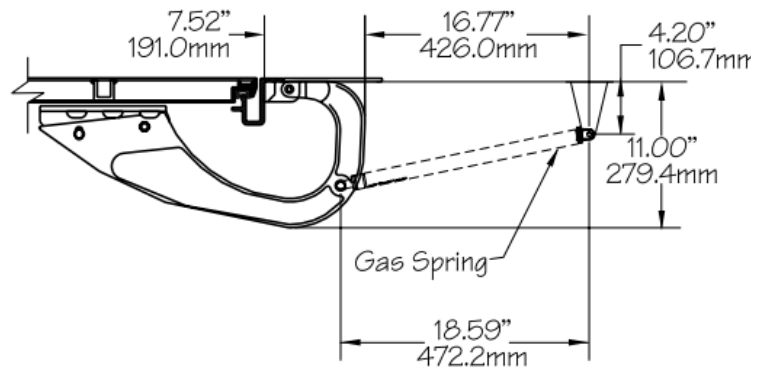
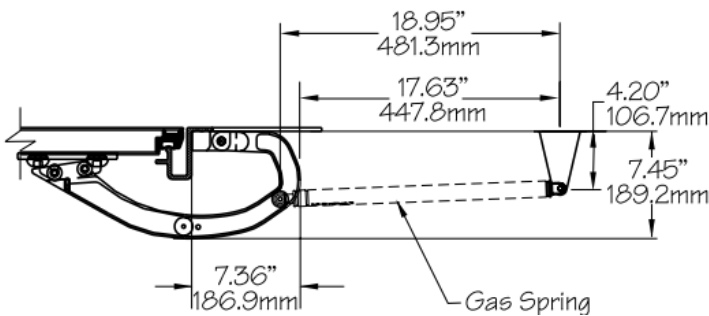
Part No.: 42.2129



Yoke Hinge, Big, Pivoting.
Part No.: 42.2130

Sample of kick-up function shown above

Yoke Hinge with Gas Spring Behind the Hinge

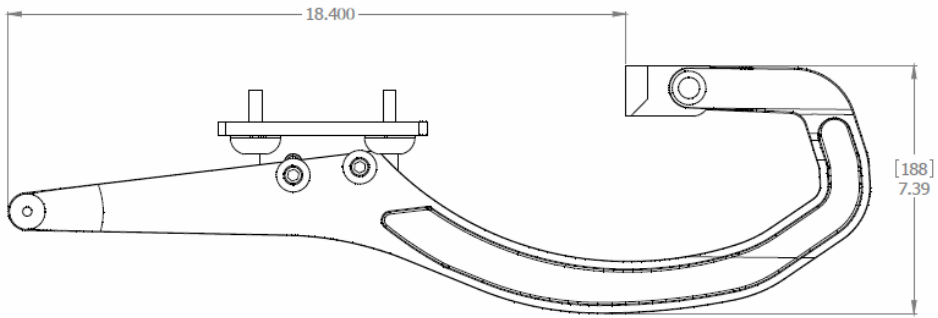
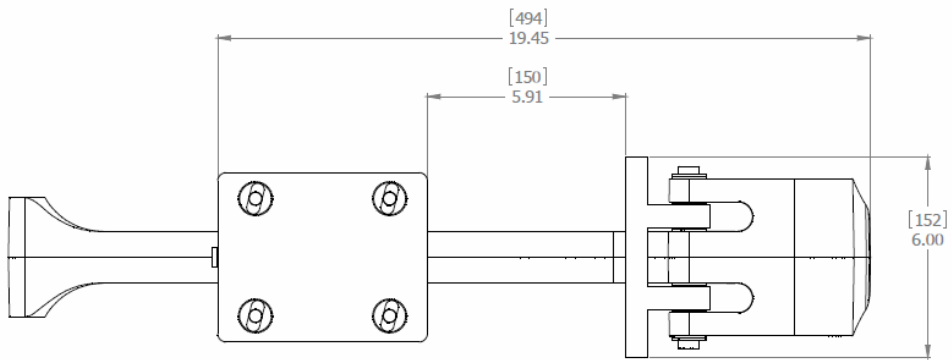


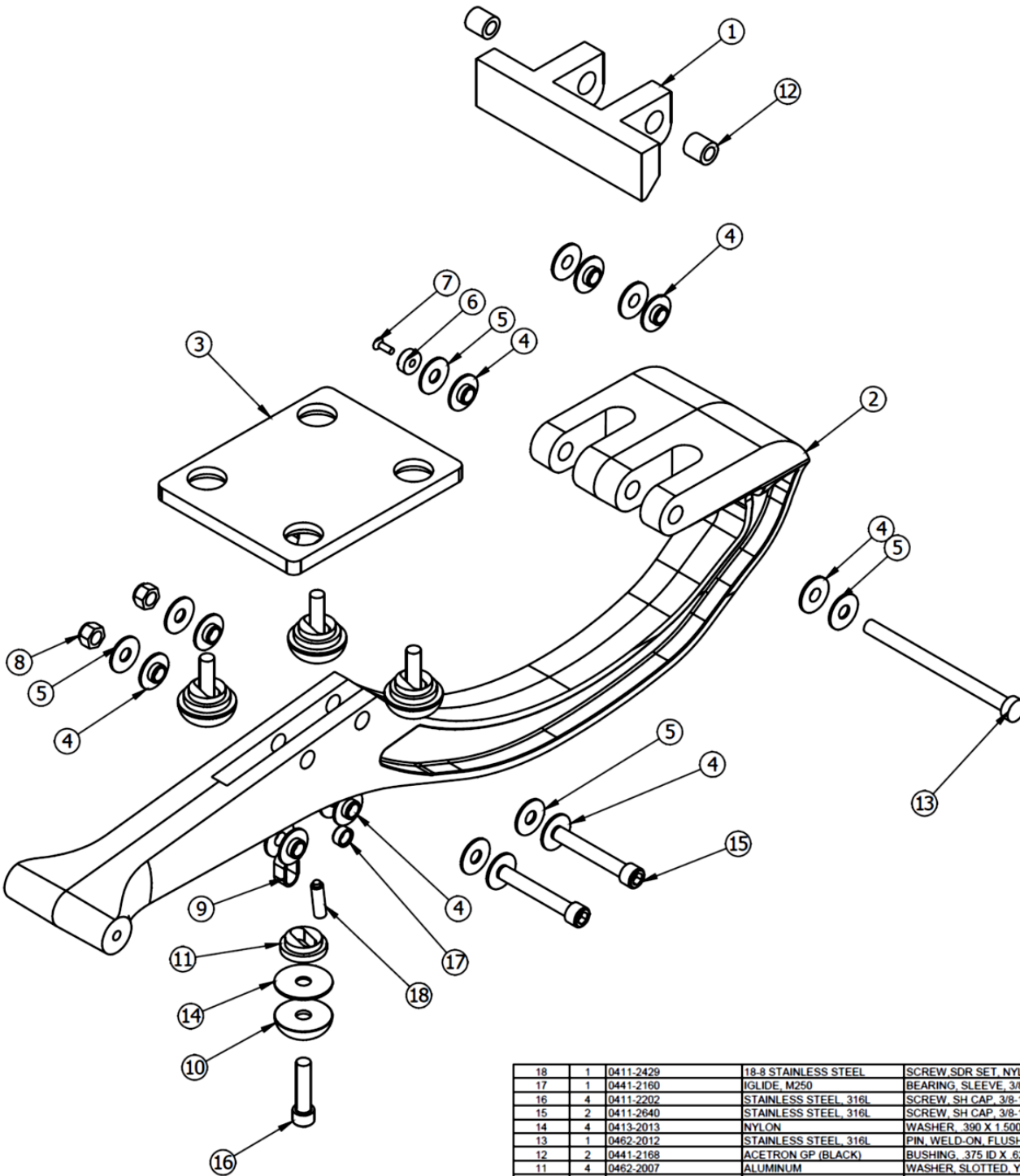
Yoke Hinge, small, pivoting.
Part No.: 42.2129

Yoke Hinge, Big, Pivoting.
Part No.: 42.2130

Gas spring #64.440 -- 14-23-400 series with short eyes

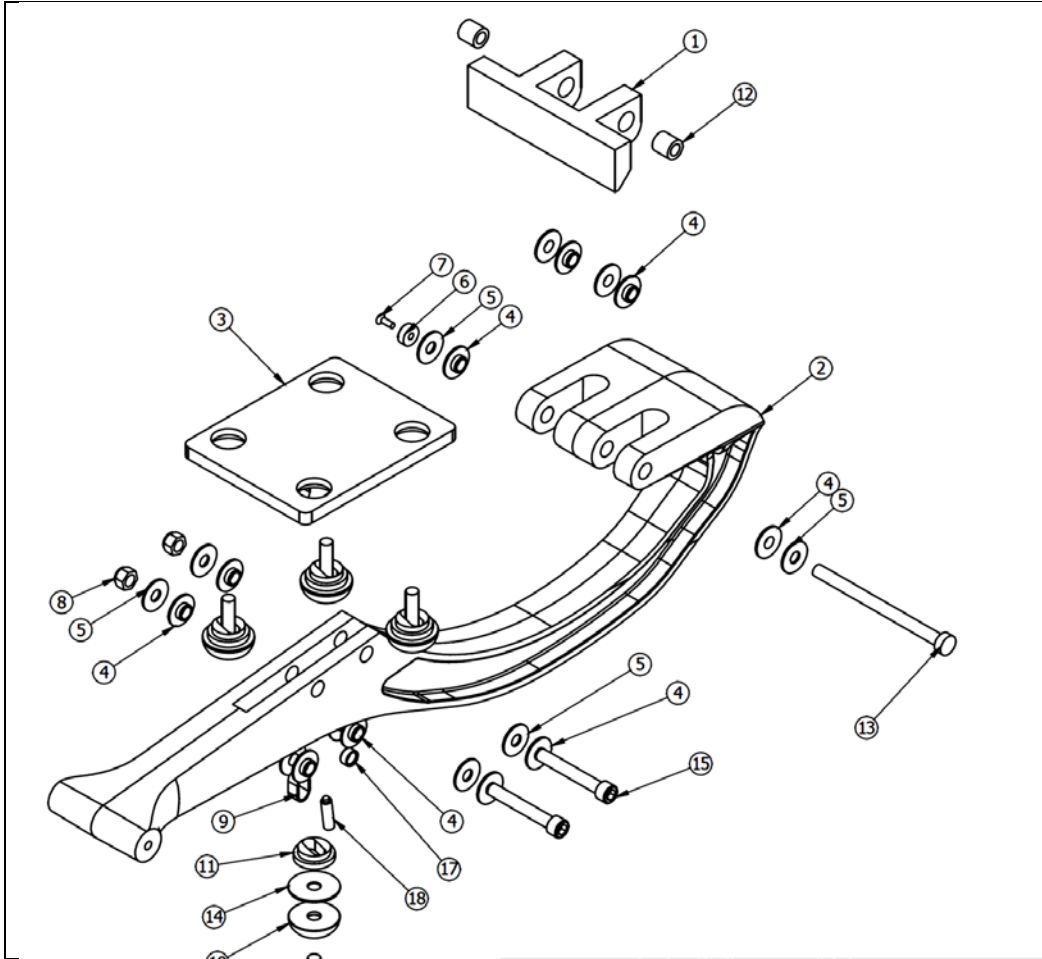
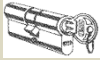
Gas spring #61.440 -- 14-23-400 series with short eyes





ITEM NO.	QTY	PART NO.	MATERIAL	DESCRIPTION
18	1	0411-2429	18-8 STAINLESS STEEL	SCREW,SDR SET, NYLON TIP, 5-16-18 X 1
17	1	0441-2160	IGLIDE, M250	BEARING, SLEEVE, 3/8 X 1/2 X 1/4
16	4	0411-2202	STAINLESS STEEL, 316L	SCREW, SH CAP, 3/8-16 X 1-1/2
15	2	0411-2640	STAINLESS STEEL, 316L	SCREW, SH CAP, 3/8-16 X 2-1/2
14	4	0413-2013	NYLON	WASHER, .390 X 1.500 X .062 NYLON
13	1	0462-2012	STAINLESS STEEL, 316L	PIN, WELD-ON, FLUSH HINGE USE ASSY
12	2	0441-2168	ACETRON GP (BLACK)	BUSHING, .375 ID X .625 OD X .625 LONG
11	4	0462-2007	ALUMINUM	WASHER, SLOTTED, YOKE HINGE ADJUSTMENT
10	4	0431-2062	STAINLESS STEEL, 316L	WASHER, DOME, 1.5 W/ 1/2 CBORE
9	1	0441-2101	TEFLON	BUSHING
8	2	0411-2032	STAINLESS STEEL, 316	LOCKNUT, NYLON INSERT, 3/8-16
7	1	0411-2214	STAINLESS STEEL, 316L	SCREW PHILLIPS FHM, 8-32 X 1/2 EP
6	1	0462-2011	STAINLESS STEEL, 316L	PIN CAP
5	6	0411-2258	STAINLESS STEEL	WASHER, 1.00 OD X .375 ID X .060
4	14	0441-2099	ACETRON GP (BLACK)	BUSHING
3	1	0462-2371	ALUMINUM, 535	BRACKET, YOKE HINGE MOUNT, SLOTTED, 2.17
2	1	0462-2369	ALUMINUM, 535	HINGE, SMALL YOKE, WITH KICK UP
1	1	0462-2057	ALUMINUM	HINGE BLOCK, LARGE AND SMALL YOKE HINGE

Yoke Hinge "Small" Part no. 42.2129 Use with gas spring I4-28-400



ITEM NO.	QTY.	PART NO.	MATERIAL	DESCRIPTION
18	1	0411-2429	18-8 STAINLESS STEEL	SCREW,SDR SET, NYLON TIP, 5-16-18 X 1
17	1	0441-2160	IGLIDE, M250	BEARING, SLEEVE, 3/8 X 1/2 X 1/4
16	4	0411-2202	STAINLESS STEEL, 316L	SCREW, SH CAP, 3/8-16 X 1-1/2
15	2	0411-2640	STAINLESS STEEL, 316L	SCREW, SH CAP, 3/8-16 X 2-1/2
14	4	0413-2013	NYLON	WASHER, .390 X 1.500 X .062 NYLON
13	1	0462-2012	STAINLESS STEEL, 316L	PIN, WELD-ON, FLUSH HINGE USE ASSY
12	2	0441-2168	ACETRON GP (BLACK)	BUSHING, .375 ID X .625 OD X .625 LONG
11	4	0462-2007	ALUMINUM	WASHER, SLOTTED, YOKE HINGE ADJUSTMENT
10	4	0431-2062	STAINLESS STEEL, 316L	WASHER, DOME, 1.5 W/ 1/2 CBORE
9	1	0441-2101	TEFLON	BUSHING
8	2	0411-2032	STAINLESS STEEL, 316	LOCKNUT, NYLON INSERT, 3/8-16
7	1	0411-2214	STAINLESS STEEL, 316L	SCREW,PHILLIPS FHM, 8-32 X 1/2 EP
6	1	0462-2011	STAINLESS STEEL, 316L	PIN CAP
5	6	0411-2258	STAINLESS STEEL	WASHER, 1.00 OD X .375 ID X .060
4	14	0441-2099	ACETRON GP (BLACK)	BUSHING
3	1	0462-2371	ALUMINUM, 535	BRACKET, YOKE HINGE MOUNT, SLOTTED, 2.17
2	1	0462-2369	ALUMINUM, 535	HINGE, SMALL YOKE, WITH KICK UP
1	1	0462-2057	ALUMINUM	HINGE BLOCK, LARGE AND SMALL YOKE HINGE

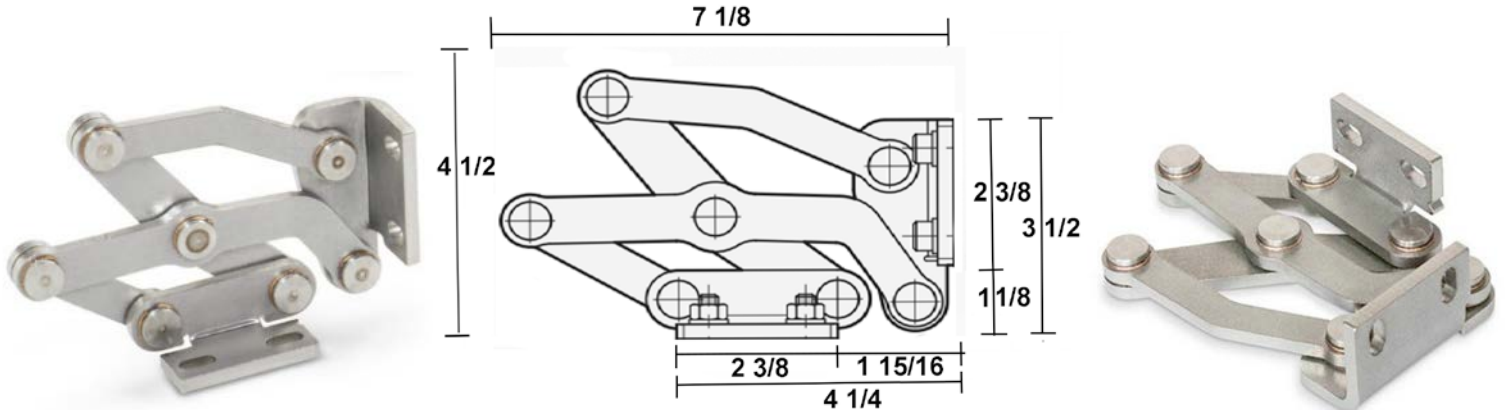
Yoke Hinge “Small” Part no. 42.2129; 653.5 mm x 152.4 mm Use with gas spring 14-28-400



INVISIBLE HINGES HEAVY DUTY POLISHED STAINLESS STEEL BRONZE BEARINGS 180 DEGREE OPENING



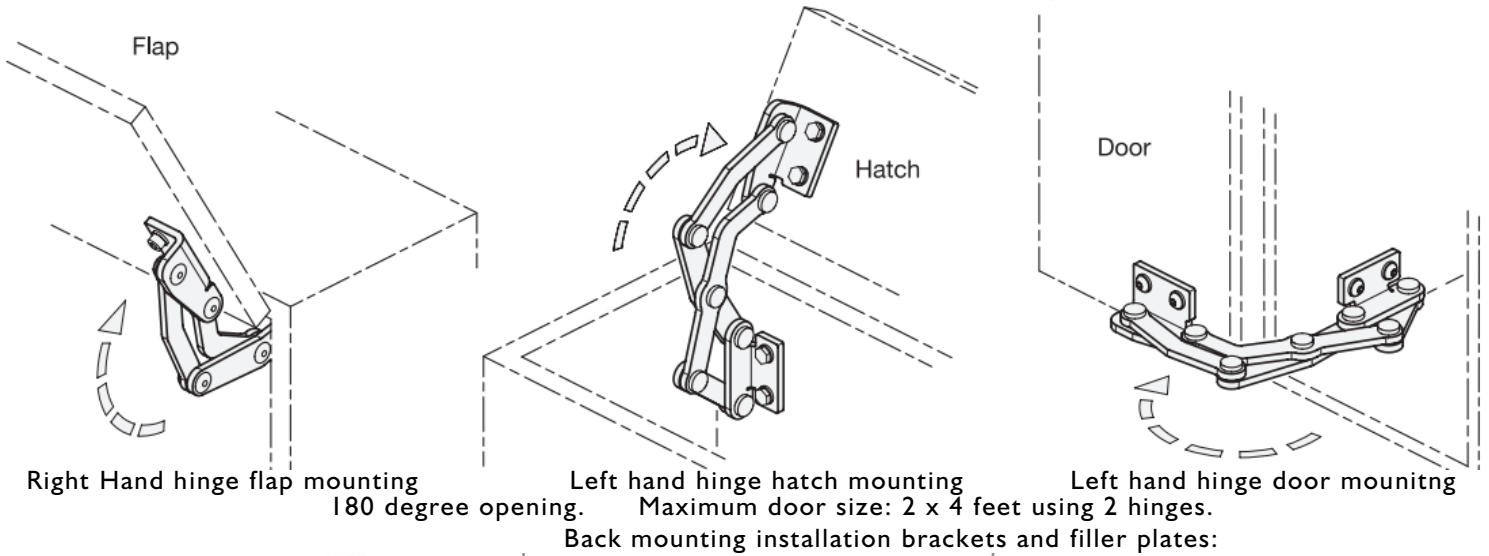
44.7237:L (LEFT) AND #44.7237R (RIGHT) 180 DEGREE OPENING STAINLESS STEEL. MARINE GRADE



#44.7237L Left Invisible Hinge
 #44.7237R Right

Picture showing Left Hand 304 stainless steel 180 degree opening
BRONZE BEARINGS For door weights up to 50 lbs. using 2 hinges
 Mounting Plates Footprint: 2 3/8 inch x 1 inch

Size: 4 1/2 x 7 1/8 inch.



#44.2376 Plate with threaded studs

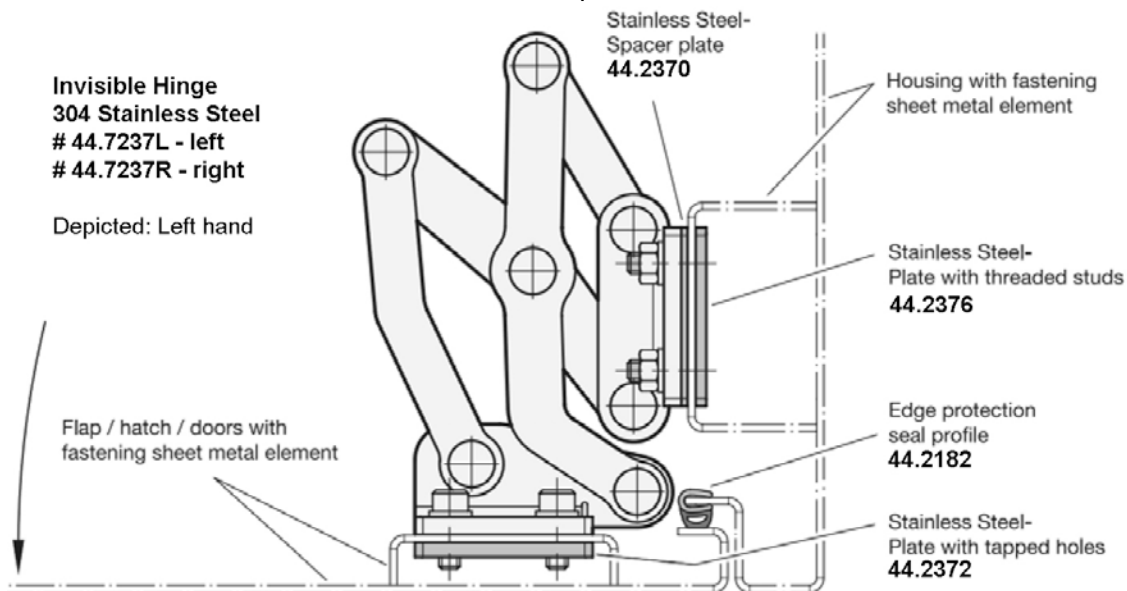


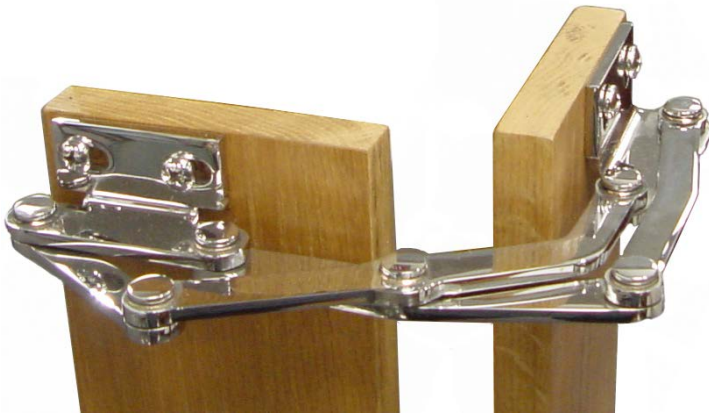
#44.2370 Spacer Plate



#44.2372 Threaded Plate for back mounting

Invisible Hinge
 304 Stainless Steel
 # 44.7237L - left
 # 44.7237R - right
 Depicted: Left hand

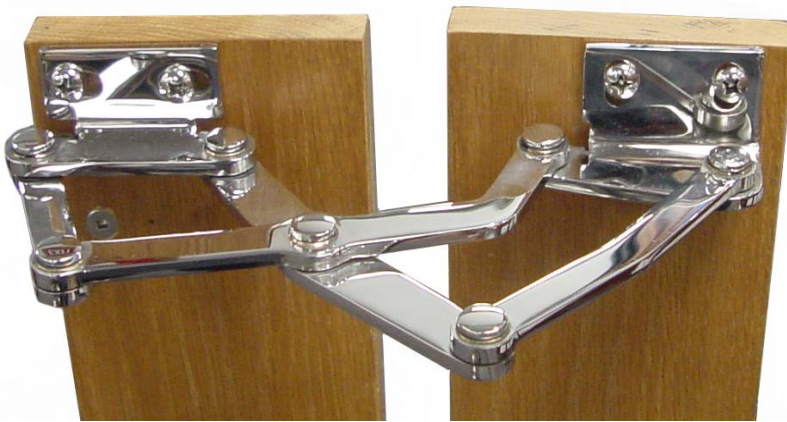




#44.7237LI; Left; 180 degrees Open Position Polished Stainless Steel
BRONZE BEARINGS



#44.7237LI; Left; Closed Position Polished Stainless Steel
BRONZE BEARINGS



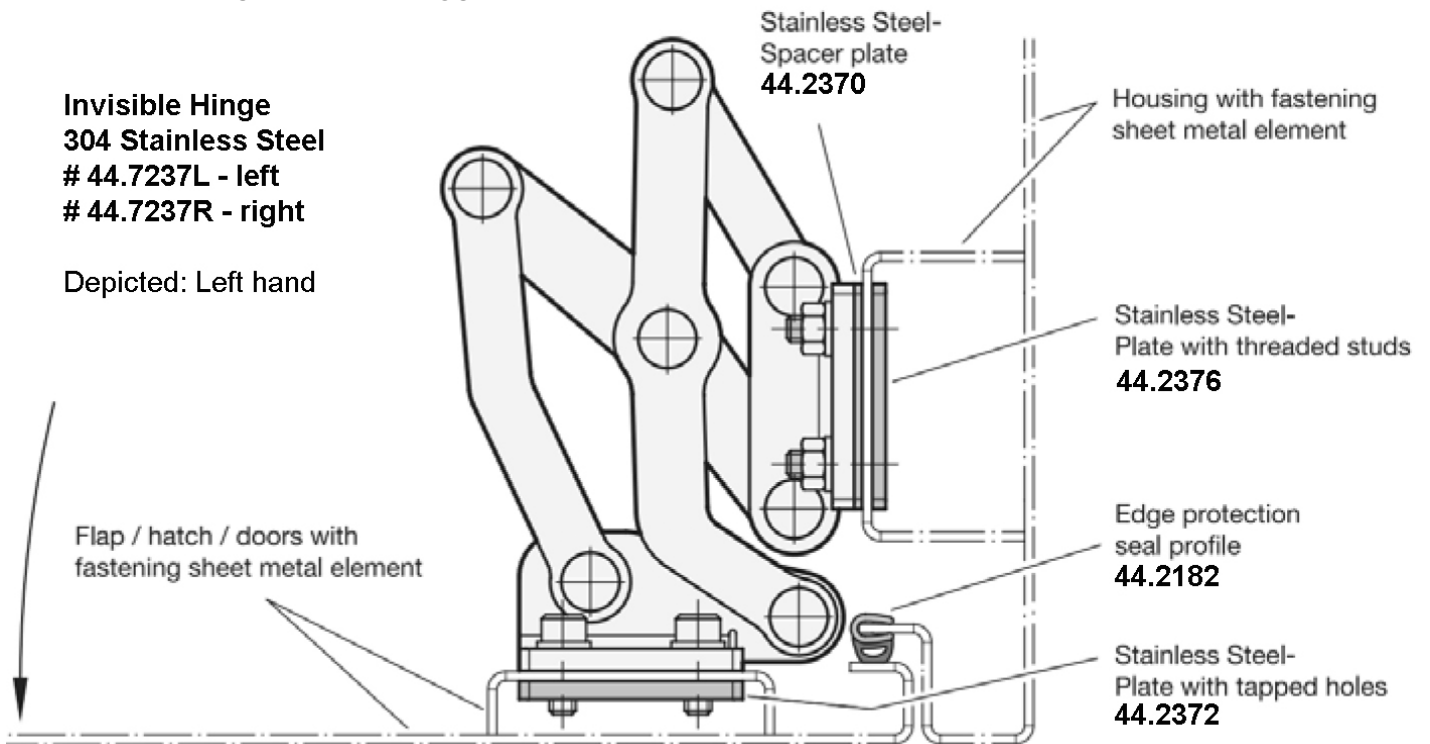
#44.7237LI; Left; Open 90 degrees Polished Stainless Steel
BRONZE BEARINGS



#44.7237L; Left hand; Tumbled Stainless Steel finish

Invisible Hinge
304 Stainless Steel
44.7237L - left
44.7237R - right

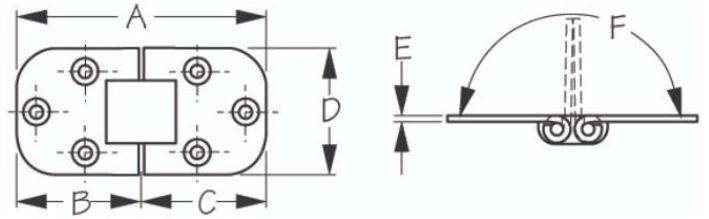
Depicted: Left hand



BRONZE BEARINGS, 304 tumbled stainless steel

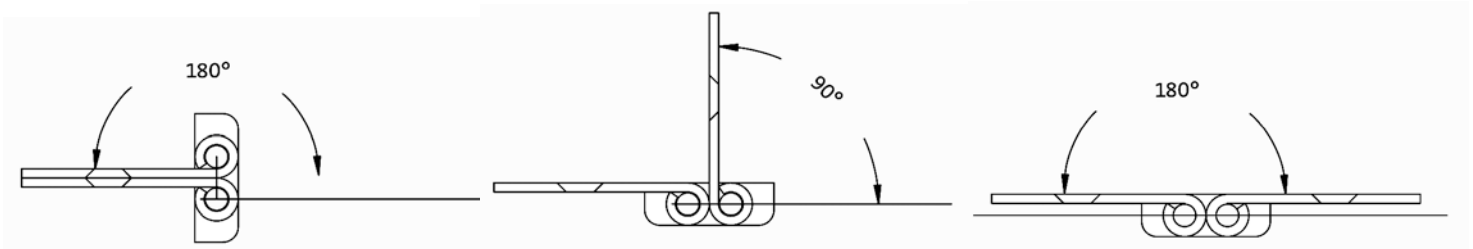


304 MIRROR POLISHED STAINLESS STEEL



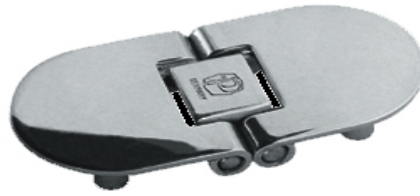
#42.1551 Double barrel deck lid hinge: 3 x 1 1/2 inch.

A	B	C	D	E	F
3"	1-1/2"	1-1/2"	1-1/2"	1/16"	180°

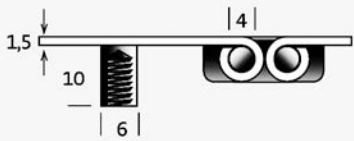




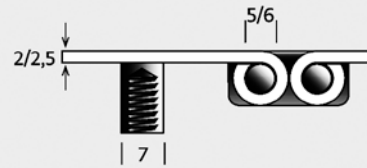
316 MIRROR POLISHED AND ELECTRO POLISHED STAINLESS STEEL



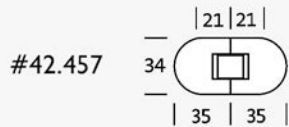
#42.638 Double barrel deck lid hinge



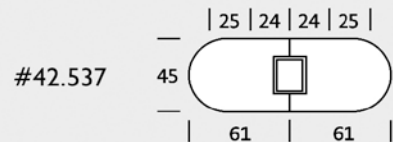
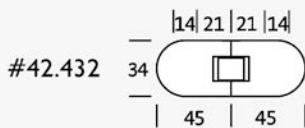
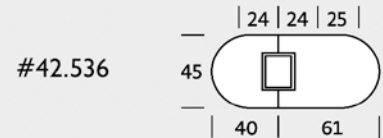
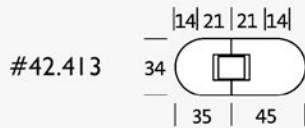
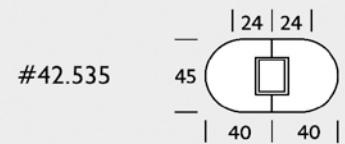
Gewindebuchsen für M4,
Material 1,5 mm
Threaded shanks for M4,
material 1,5 mm



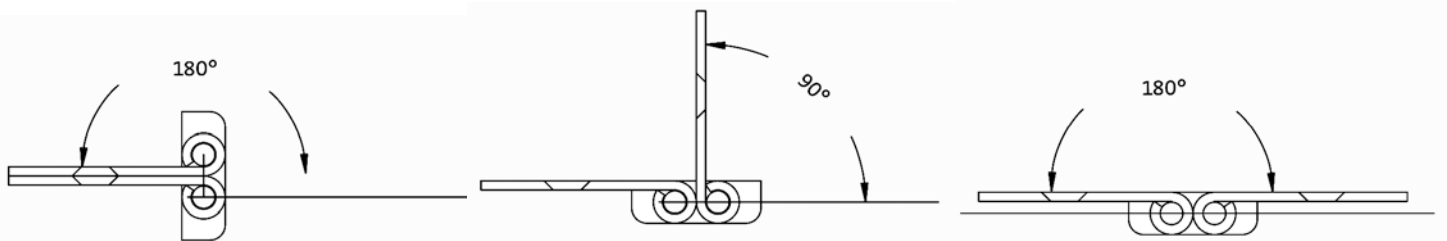
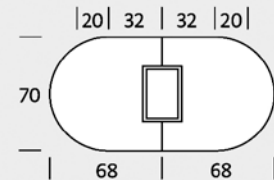
Gewindebuchsen
für M5,
Material 2/2,5 mm
Threaded shanks
for M5,
material 2/2,5 mm



Material 2 mm
Buchsen: 12 mm lang
Material 2 mm
threaded shanks:
12 mm long



Material 2,5 mm
Buchsen: 15 mm lang
Material 2,5 mm
threaded shanks:
15 mm long

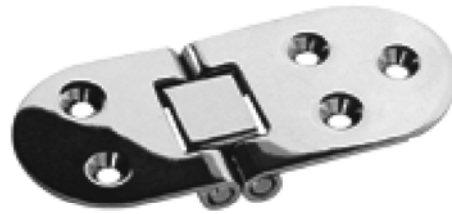




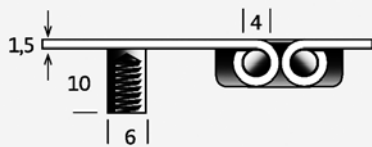
316 MIRROR POLISHED AND ELECTRO POLISHED STAINLESS STEEL



#42.427 Double barrel deck lid hinge



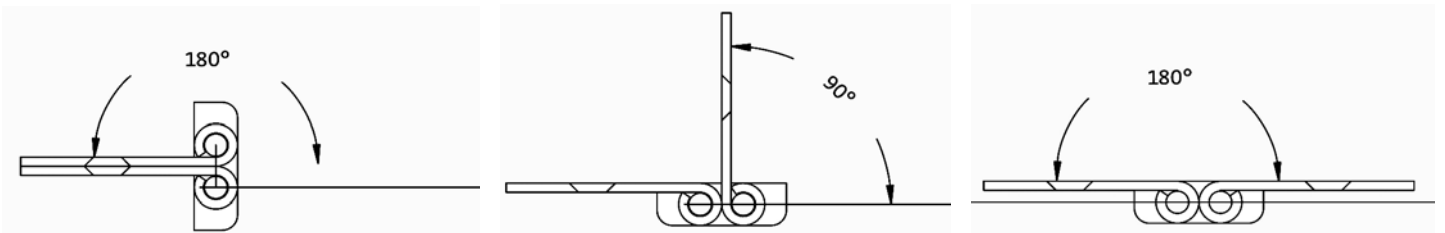
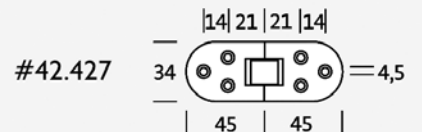
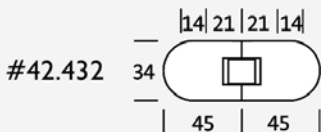
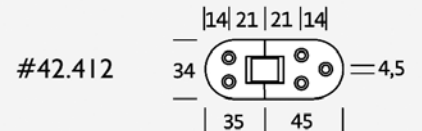
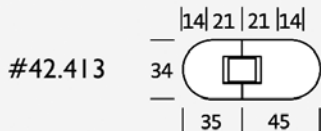
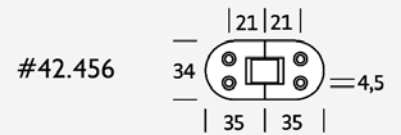
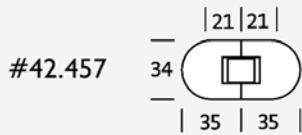
#42.412 Double barrel deck lid hinge



Gewindebuchsen für M4,
Material 1,5 mm
Threaded shanks for M4,
material 1,5 mm



Bohrungen für 4 mm
Senkkopfschrauben,
Material 1,5 mm
Holes for 4 mm counter
sunk screws,
material 1,5 mm





Izerwaren
Order
numbers

**STRAP HATCH HINGES WITH WELD ON BUSHINGS
FOR M4 AND M5 THROUGH BOLTS**

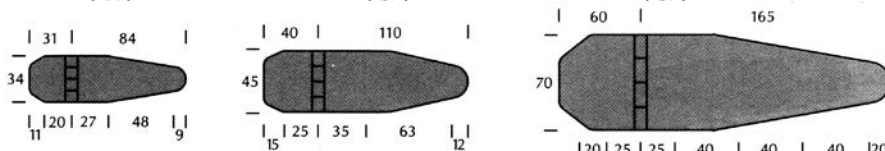
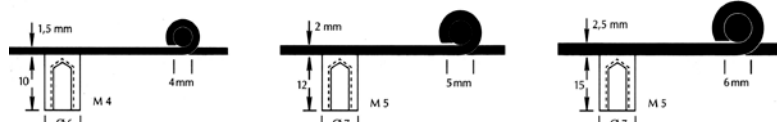
42.833 Hatch hinges 42.833
short leaf: 1 1/4 inch; long leaf: 3 1/4 inch
Overall length: 4 1/2 inch x 1 5/16 inch wide
back mounting with machine screws M4
pin 4 mm diameter

42.839 Hatch hinge 42.839
short leaf: 1 9/16 inch; long leaf: 4 3/8 inch
Overall length: 5 7/8 inch x 1 3/4 inch wide
back mounting with machine screws M5
pin 5 mm diameter

42.845 Hatch hinge 42.845
short leaf: 2 3/8 inch; long leaf: 6 1/2 inch
Overall length: 8 7/8 inch x 2 3/4 inch wide
back mounting with machine screws M5
pin 6 mm diameter



#42.845



#42.833

#42.839

#42.845

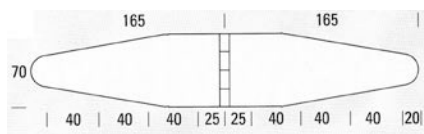
42.642 Hatch hinge 42.642 (picture)
Overall length: 8 5/8 inch x 1 3/4 inch wide
back mounting with machine screws M5
pin 6 mm diameter



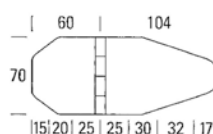
42.648 Hatch hinge 42.648
Overall length: 13 inch x 2 3/4 inch
For screws 6 mm

42.644 Hatch hinge 42.644
Overall length: 6 1/2 inch x 2 3/4 inch
For screws 6 mm

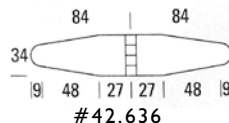
42.636 Hatch hinge 42.636
Overall length: 6 5/8 inch x 1 3/8 inch
For screws 4 mm



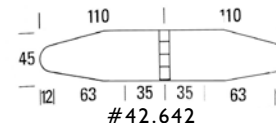
#42.648



#42.644



#42.636

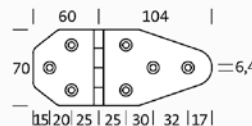


#42.642

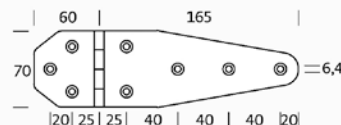
STRAP HATCH HINGES FOR 6 MM SCREWS



#42.0375



#42.0376



42.0377 Hatch hinge 42.0377 (picture)
Overall length: 11 inch x 2 3/4 inch
For screws 6 mm

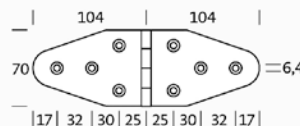
42.0375 Hatch hinge 42.0375
Overall length: 6 1/2 inch x 2 3/4 inch
For screws 6 mm

42.0376 Hatch hinge 42.0376
Overall length: 9 3/4 inch x 2 3/4 inch
For screws 6 mm

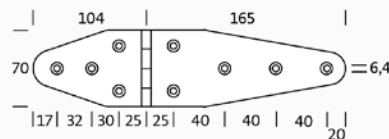
42.0378 Hatch hinge 42.0378
Overall length: 10 5/8 inch x 2 3/4 inch
For screws 6 mm

42.0379 Hatch hinge 42.0379
Overall length: 13 inch x 2 3/4 inch
For screws 6 mm

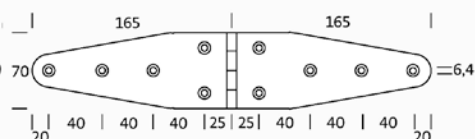
#42.0377



#42.0378



#42.0379





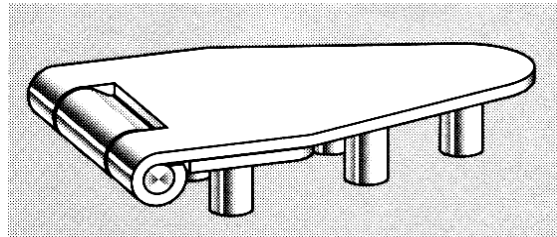
Izerwaren
Order
numbers

- Stainless steel hatch hinges
- 316 stainless steel
- Sea water resistant
- Finish: Electro polished stainless steel

Hinge for deck boxes and hatches

Flush mounting
Polished 316 stainless steel

- 42.880 **Model A:** screws showing
45 x 70 mm; 2 mm thick; Pin 5 mm
- 42.861 **Model B:** screws showing on back leaf
45 x 70 mm; Bush 12 mm for M5
- 42.878 **Model C:** no screws showing
45 x 70 mm; Pin 5 mm
Bush 12 mm for M5 machine screws.
- 42.881 **Model A:** screws showing
70 x 104 mm; 2.5 mm thick; Pin 6 mm
- 42.862 **Model B:** screws showing on back leaf
70 x 104 mm; bush 15 mm for M5; Pin 6 mm
- 42.879 **Model C:** no screws showing
70 x 104 mm; 2.5 mm thick; Pin 6 mm
Bush 15 mm for M5 machine screws.



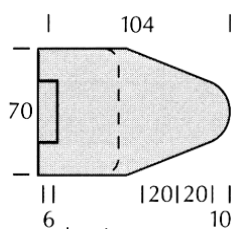
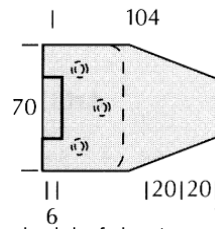
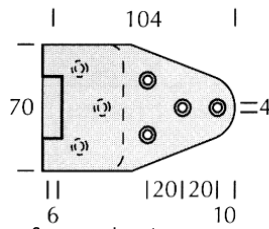
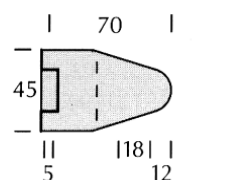
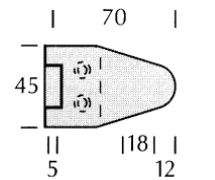
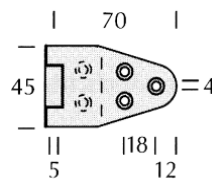
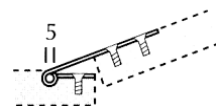
Deck box hinge



Model A

Model B

Model C



Screws showing

Screws back leaf showing

No screws showing

